



Project Name _____

Item No. _____

Quantity _____

Built-In 30"W. Full-Height Wine Cellar

STANDARD FEATURES

All models include:

- Capacity – accommodates up to 150 full-size bottles
 - » 84"H./24"D.
- Exclusive TriTemp™ storage system
 - » Three independent temperature zones
 - » Settings are adjustable in each zone from 43°F (6.1°C) to 65°F (18.3°C)
 - » Electronic control center maintains set temperature within 1.5°F (0.83°C)
- Exclusive glass control pad
- Versatile shelving system stores standard, magnum, and half-size bottles
- Two convertible wine shelves adjust to allow for bottle display
- Solid maple wood facings provide additional ultraviolet protection, and may be finished to coordinate with surrounding cabinetry
- Coated wine shelves reduce vibration and hold bottles in place
- Shelves are fully removable for easy cleaning
- Ultraviolet-resistant tempered glass and black interior protect wine from harmful light
- Low-intensity lighting displays wine with minimal heat and light output
- Lower zone with raised wood facings
- High temperature alarm
- Door open alarm
- Home security system connection
- Dual magnet and spring assist door closure mechanism
- Keyed door lock
- Adjustable door stays standard – 90° 110° or 120°
- Power interruption switch
- Top-mounted and front-venting sealed refrigeration system
- Lower kickplate
- Must be ordered right or left hinge

(As you face unit, RIGHT has hinge on right side and handle on left side; LEFT has hinge on left side and handle on right side.)

FINISH DETAILS FOR VCWB MODEL

- Clear and fluted glass doors
- Stainless Steel (SS) – stainless steel frame around large window door, stainless steel handle with chrome-plated brackets, and black interior.
- Brass Trim Option (BR) – nameplate, handle/brackets. Brass components have a durable protective coating for maintenance-free normal use.



VCWB300

INSTALLATION NOTES AND ACCESSORIES

SIDE PANEL KITS

- Stainless steel (SS)
- Panels provide finished freestanding look; unit must still be secured to the wall
- Kit includes one panel and installation hardware

Side Panel Kits		
Model	Description	Approx. Ship Wt. Lbs. (kg)
PSSPL2	Professional Side Panel Left	45 (20.2)
PSSPR2	Professional side panel right	45 (20.2)

TOP PANEL KIT

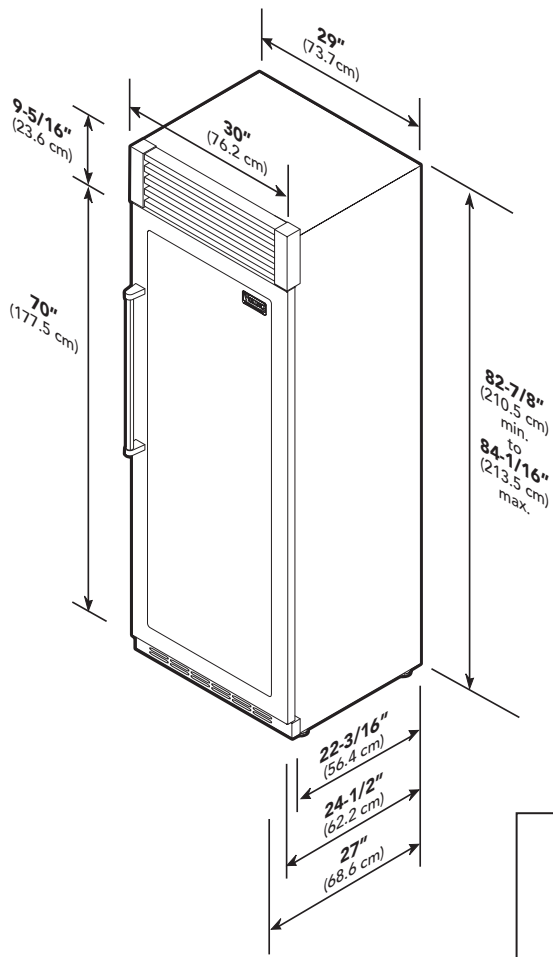
- Stainless steel (SS)
- Panels provide finished freestanding look; unit must still be secured to the wall
- Kit includes one panel and installation hardware

Top Panel Kit		
Model	Description	Approx. Ship Wt. Lbs. (kg)
TOP-30	30"W. top panel	21 (9.5)



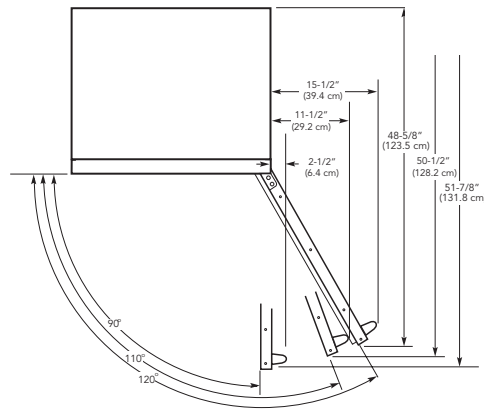
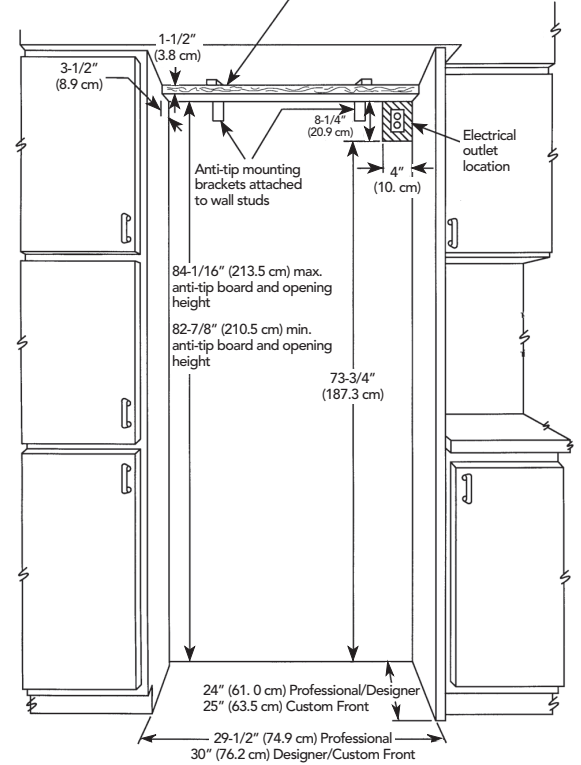
Project Name _____

Item No. _____



VCWB300
PROFESSIONAL

2" x 4" Mounting Board (1-1/2" (3.8 cm) x 3-1/2" (8.9 cm))
Attached to anti-tip mounting bracket
Note: If unit is installed deeper than 24" (61.0 cm), then shim behind anti-tip bracket thickness by the same amount



ORDERING INSTRUCTIONS

First specify model number. If ordering special fluted or solid door ("F" for fluted or "D" for solid), specify immediately after model number (VCWB300F). Next, specify hinge preference ("R" for right or "L" for left), and then color code (VCWB300FRSS).

Cutout Width: 29½" (74.9 cm)

Cutout Depth: 24" (61.0 cm)

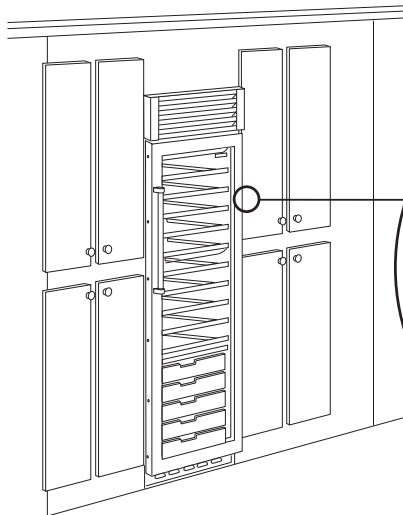
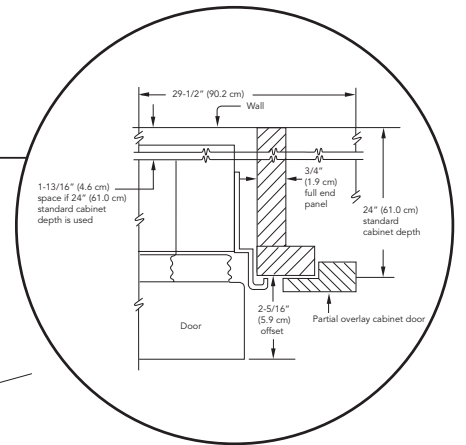
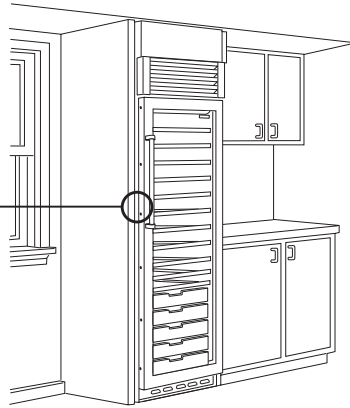
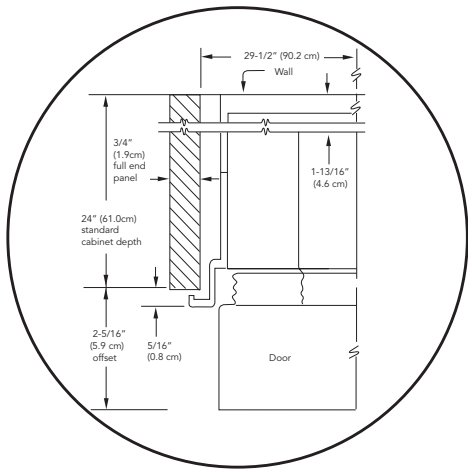
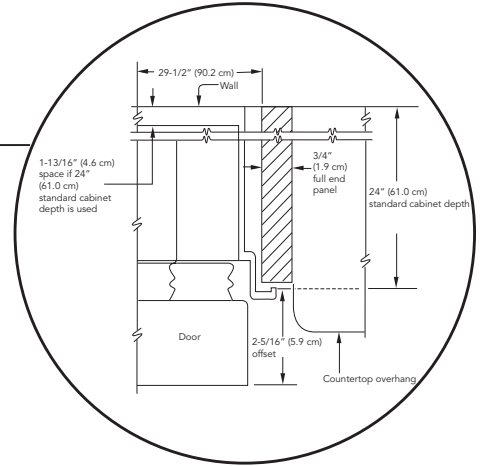
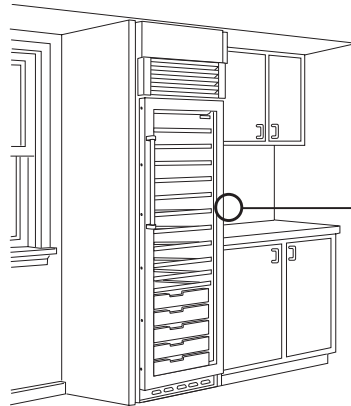
Overall Depth (from rear)

- To front edge of side trim: 22¾" (56.4 cm)
- To front of top grille: 24½" (62.2 cm)
- To front of handle: 27" (68.6 cm)



Project Name _____

Item No. _____



Compliance Information



ELECTRICAL REQUIREMENTS

- Three-wire cord with grounded three-prong plug attached to product.
- 115 VAC/60 Hz; 15 amp dedicated circuit.
- Maximum amp usage 2.0.